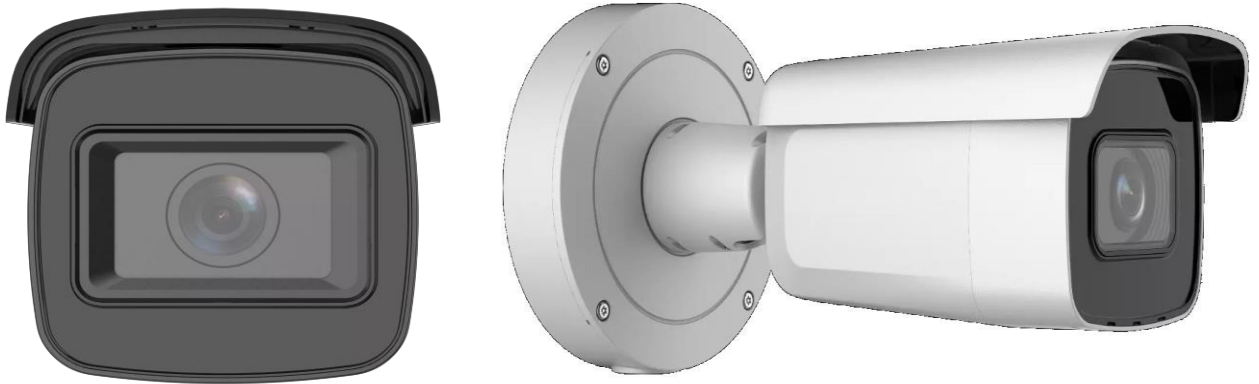




EasyView

5MP IR Bullet Network Camera



Key Features

- High quality imaging with 5 MP resolution
- Excellent low-light performance
- Motorized varifocal lens for easy installation
- Clear imaging against strong backlight due to 120 dB true WDR technology
- Efficient H.265 compression technology
- Focus on human and vehicle targets classification based on deep learning
- Audio and alarm interface available
- Water and dust resistant (IP67) and vandal-resistant (IK10)

EZV IP Camera Series with 5 MP bullet camera is a type of surveillance camera that captures high-resolution video footage at a resolution of 5 megapixels. These cameras are typically used in outdoor environments and are designed to be weather-resistant, making them suitable for use in harsh conditions. The bullet shape of the camera is meant to deter potential intruders, as it is visible and can act as a deterrent. The high resolution of the camera ensures that the video footage captured is of excellent quality, allowing for easy identification of individuals and objects. Additionally, many 5 MP bullet cameras come equipped with night vision capabilities, allowing them to capture clear video footage even in low-light conditions. Overall, a 5 MP bullet camera is an excellent choice for those looking for a high-quality outdoor surveillance camera.



Technical Specifications

| Camera | |
|----------------------------|---|
| Image Sensor | 1/1.7" CMOS |
| Max. Resolution | 2560 x 1920 at 25/30 FPS |
| Scanning System | Progressive |
| Electronic Shutter Speed | Auto/Manual 1 s–1/100,000 s |
| Min. Illumination | 0.0009 lux@F1.6 (Color, 30 IRE) 0.0005 lux@F1.6 (B/W, 30 IRE) 0 lux (Illuminator on) |
| S/N Ratio | >58dB |
| Illumination Distance | 80 m (IR) |
| Illuminator On/Off Control | Auto |
| Illuminator Number | 2 (IR LED) |
| Lens | |
| Lens Type | Motorized vari-focal |
| Focal Length | 2.7 mm–13.5 mm |
| Max. Aperture | F1.6 |
| Field of View | H: 107°–48°; V: 76°–37°; D: 150°–59° |
| Iris Control | Auto |
| Iris Control Type | P-Iris |
| Video | |
| Video Compression | H.265; H.264; MJPEG |
| Stream Capability | 5 streams |
| Resolution | 5M (3072 x 1728); 5M (2592 x 1944); 4M (2688 x 1520); 3M (2048 x 1536); 3M (2304 x 1296) 1080p (1920 x 1080); 1.3M (1280 x 960); 720p (1280 x 720); D1 (704 x 576/704 x 480); CIF (352 x 288/352 x 240) |
| Bit Rate Control | CBR/VBR/CVBR |



| | |
|---------------------------------|---|
| Video Bit Rate | H.264: 32 kbps–16384 kbps H.265: 32 kbps–12288 kbps |
| Day/Night | Auto(ICR)/Color/B/W/TDN |
| BLC | Yes |
| HLC | Yes |
| WDR | 120dB WDR |
| White Balance | Auto; natural; street lamp; outdoor; manual; regional custom, time stamp, text overlay, flip & mirror, Saturation, Brightness, Contrast, Sharpen, white balance, video rotation |
| Gain Control | Auto |
| Noise Reduction | 3D NR |
| Motion Detection | OFF/ON (4 areas, rectangular) |
| Region of Interest (RoI) | Yes (4 areas) |
| Image Stabilization | Electronic Image Stabilization (EIS) |
| Smart Illumination | Yes |
| Other Feature | Slow Shutter and Audio Noise Reduction, Defog, Corridor Pattern |
| Image Rotation | 0°/90°/180°/270° (Support 90°/270° with 2688 × 1520 resolution and lower) |
| Mirror | Yes |
| Privacy Masking | 8 areas |
| Audio | |
| Audio Compression | G.711a; G.711Mu; PCM; G.726; G.723 |
| Alarm | |
| Alarm Event | No SD card; SD card full; SD card error; network disconnection; IP conflict; illegal access; motion detection; video tampering; tripwire; intrusion; fast moving; abandoned object; missing object; loitering detection; people gathering; parking detection; parking space management; scene changing; audio detection; defocus detection. |
| Network | |
| Network Port | RJ-45 (10/100/1000 Base-T) |
| Network Protocol | IPv4; IPv6; HTTP; TCP; UDP; ARP; RTP ; RTSP; RTCP; RTMP; SMTP; FTP; SFTP; DHCP; DNS; DDNS; QoS; UPnP; NTP; Multicast; ICMP; IGMP; NFS; SAMBA; PPPoE; SNMP; P2P |



| | |
|------------------------------|---|
| Interoperability | ONVIF (Profile S/Profile G/Profile T) |
| User/Host | 20 |
| Storage | FTP; SFTP; Micro SD card (support max. 1TB) |
| Browser | IE: IE11 and later Chrome: Chrome 88.0.4324.190 and later Firefox: Firefox 47.0.2 and later |
| Cyber Security | Video encryption; firmware encryption; configuration encryption; Digest; |
| Certification | |
| Certifications | CE, FCC, RoHS, WEEE & BIS |
| Port | |
| RS-485 | 1 (baud rate range:1200 bps–115200 bps) |
| Audio Input | 1 channel (RCA port) |
| Audio Output | 1 channel (RCA port) |
| Alarm Input | 3 channels in |
| Alarm Output | 2 channels out |
| Analog Output | 1 channel (CVBS output: BNC) |
| Power | |
| Power Supply | 12 VDC/24 VAC/PoE/PoE+ (802.3at) |
| Environment | |
| Operating Temperature | -40 °C to +65 °C (-40 °F to +149 °F) |
| Operating Humidity | ≤95% |
| Protection | IP67/IP66 , IK10 |
| Structure | |
| Casing Material | Metal + plastic |

Ordering Information

| PART NUMBER | DESCRIPTION |
|--------------------|--|
| EZV-5MP-BL-MZ | EazyView 5 MP Motorized Bullet Camera IP 67 and IK10 with 80 Mtr. IR |